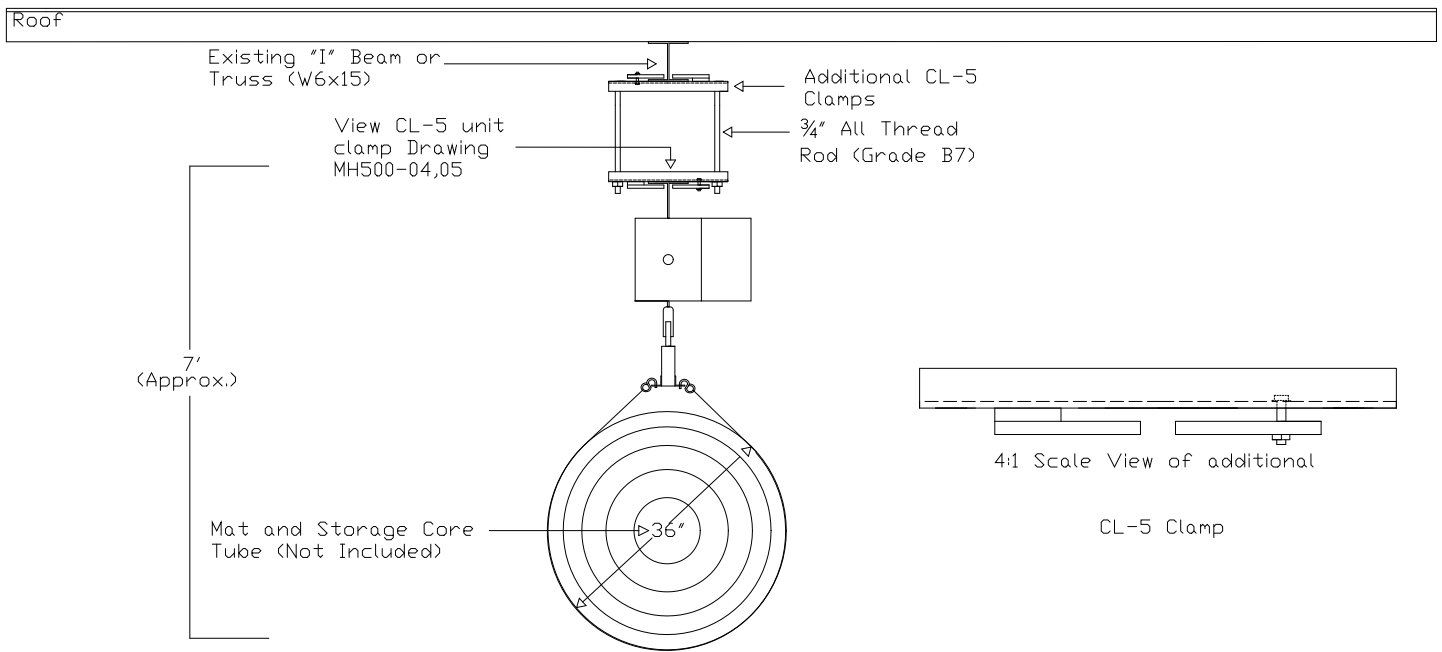


Illustrates: Parallel suspension from a single beam identical to the Mat Hoist frame. Three additional CL-5 clamps required.



Note: Structural Strength of Truss & Wall NDT Responsibility of Mat Hoist Manufacturer.

NGE Inc.
 P.O. Box 370/Industrial Park
 302 North Erickson
 Roland, IA 50236

Mat Hoist 500

Drawing MH500-18

Phone: (515)-388-4118
 Fax: (515) 388-4340
 Email: mathoist@mathoist.com
 Website: www.mathoist.com