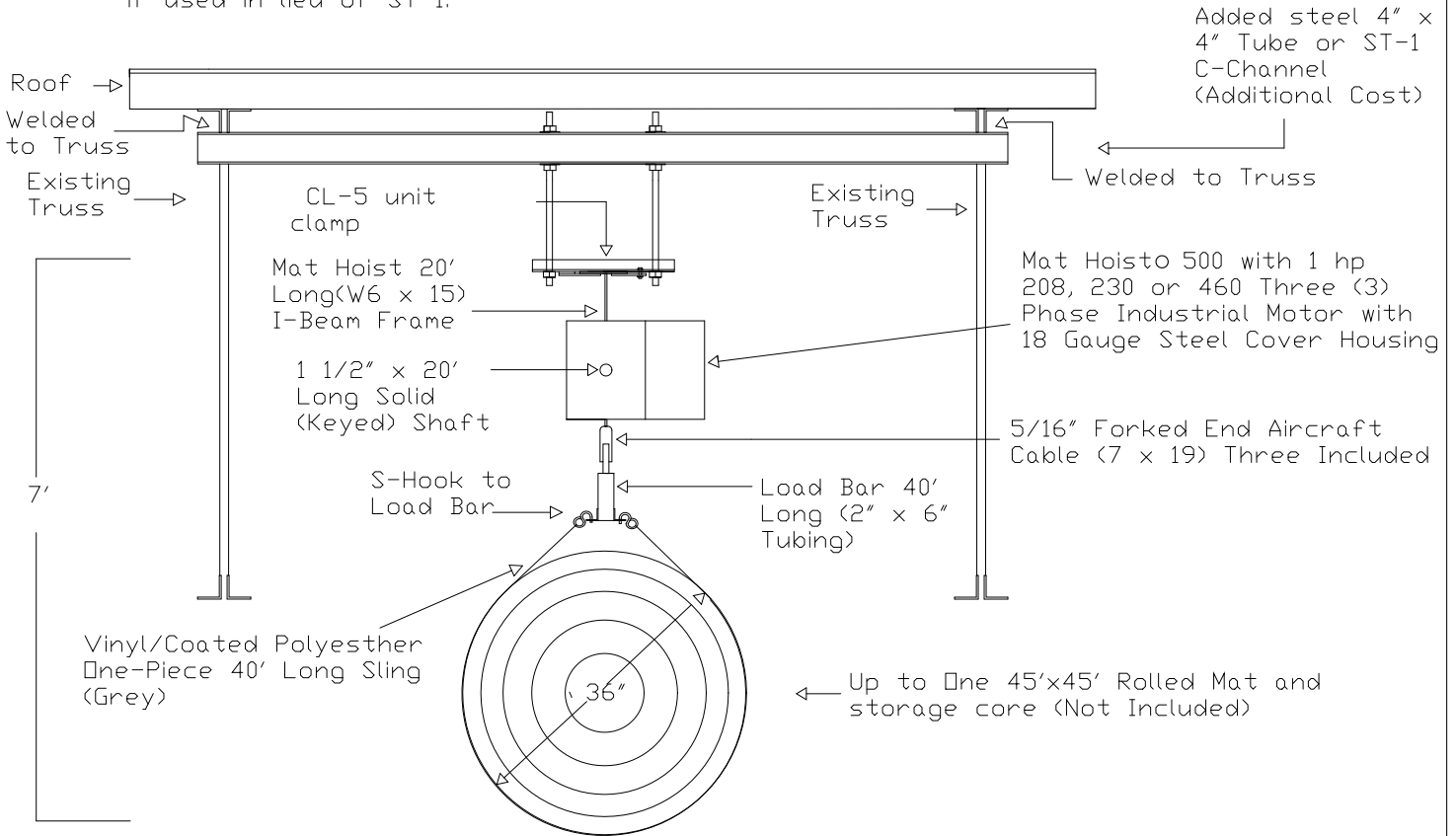


Illustrates: Suspension parallel to truss system with added cross steel welded to top chord of truss. CL-5 unit clamp bolted through center space of ST-1. Tube steel must be drilled on site if used in lieu of ST-1.



Note: Mat Can be One Piece or Multiple Sections

Note: Structural Strength of Truss & Wall NOT Responsibility of Mat Hoisto Manufacturer.

<p>NGE Inc. P.O. Box 370/Industrial Park 302 North Erickson Roland, IA 50236</p>	<p>Mat Hoisto 500 ST-1 Welded to Top Chord Drawing MH500-10</p>	<p>Phone: (515)-388-4118 Fax: (515) 388-4340 Email: mathoist@mathoist.com Website: www.mathoist.com</p>
--	---	---