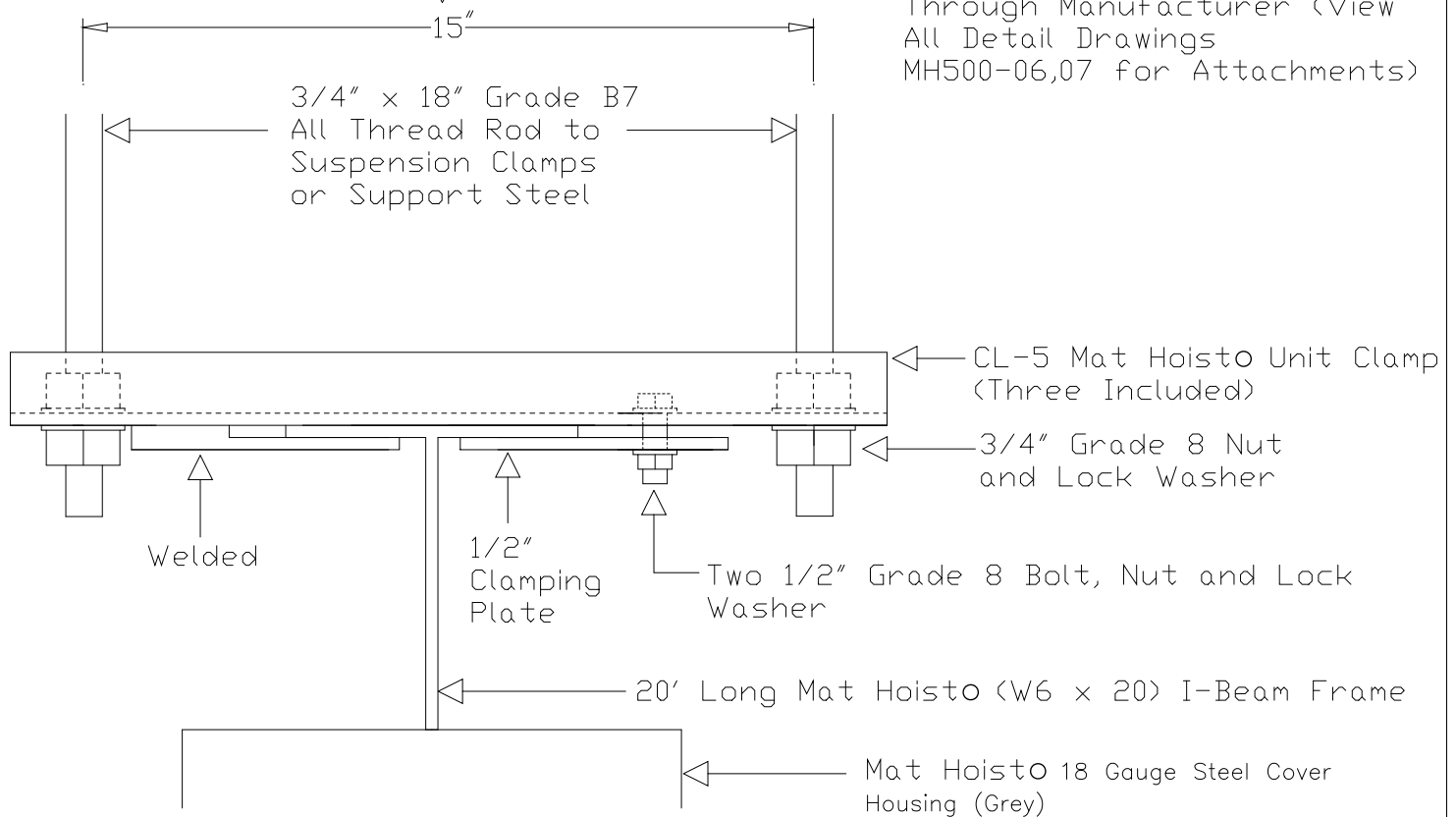


17,500 lbs. Safety
Certified Load Tested

Ceiling Truss & Wall Universal
Clamping Methods Available
Through Manufacturer (View
All Detail Drawings
MH500-06,07 for Attachments)



Note: Structural Strength of Truss & Wall NOT Responsibility of Mat HoistO
Manufacturer.

NGE Inc.
P.O. Box 370/Industrial Park
302 North Erickson
Roland, IA 50236

Mat Hoist 1000
CL-5 Unit Clamp
Drawing #
MH1000-04

Phone: (515)-388-4118
Fax: (515) 388-4340
Email: mathoist@mathoist.com
Website: www.mathoist.com